



MP Antenna, LTD.
147 Eady Court
Elyria, Ohio 44035

440.387.5968 phone
440.545.3500 fax
www.mpantenna.com
sales@mpantenna.com

Part Number: MPL900+2400-E

model number: MPL900+2400
product description: 902-928MHz, 2.4-2.5GHz Micro Omni

Electrical Data

frequency range: 902-928MHz, 2.4-2.5GHz	environmental cond.: Outdoor/Indoor
gain: 4dBi *	operation temperature: -40 to 85 deg C
vswr: <2.0:1	storage temperature: -40 to 85 deg C
horizontal pattern type: Omni Directional	transport temperature: -40 to 85 deg C
vertical patter type: Full	IP Rating: IP67
ground plane: Built In	RoHS - REACH Compliant
min ground plane: N/A	

Environmental Data

General Data

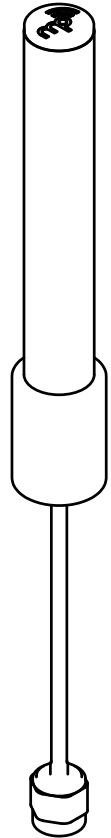
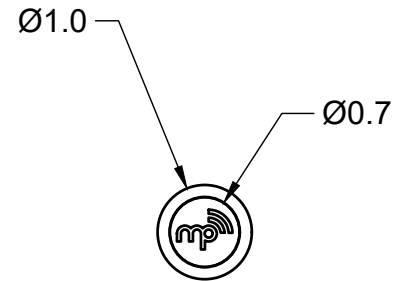
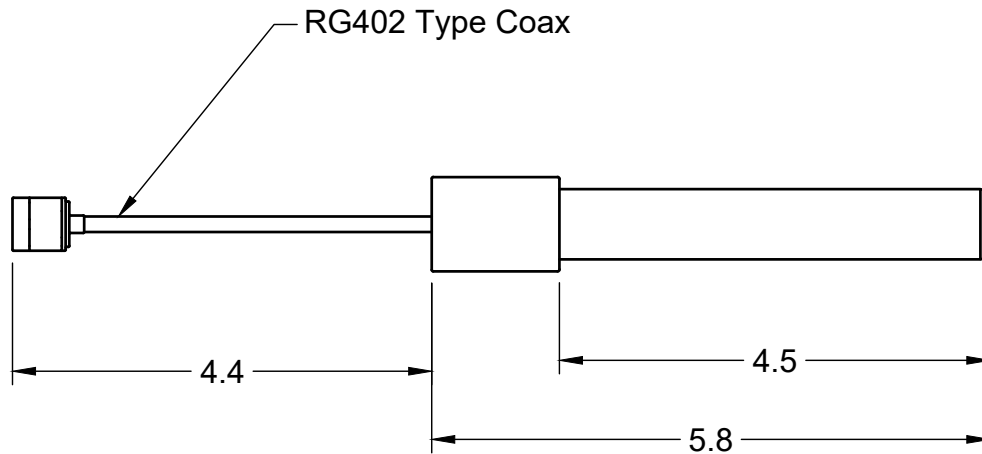
color: Black	length: 1.0 in
antenna feeds: One	width: 1.0 in
coax length: N/A	radome height: 5.5 in
coax type: RG402 Series	total height: See Drawing
connector type: TNC Male	mounting type: Connector
polarization: Multi-Polarized	hardware included: N/A
power: 50 Watts Input	
impedance: 50 ohms Nominal	
construction: ABS, Aluminum	


Mechanical Data

*** With built in spatial and polarization diversity, performance in obstructed environments is greater than that of standard antennas with similar or higher laboratory gains.**



Frequency Range	Connector Type	Color
902-928 MHz, 2.4-2.5 GHz	TNC Male	Black



MP ANTENNA, LTD. 147 Eady Court Elyria, Ohio 44035 www.mpantenna.com	THIRD ANGLE  DIMENSIONS ARE IN INCHES		PROPRIETARY AND CONFIDENTIAL THE INFORMATION CONTAINED IN THIS DRAWING IS THE SOLE PROPERTY OF MP ANTENNA, LTD. ANY REPRODUCTION IN PART OR AS A WHOLE WITHOUT THE WRITTEN PERMISSION OF MP ANTENNA LTD IS PROHIBITED.	DESCRIPTION: 902-928 MHz + 2.4-2.5 GHz Swarmlink UAV Antenna	PART NO. MPSSL900+2400-E	
		NAME				DATE
	DRAWN	MC				1/18/24



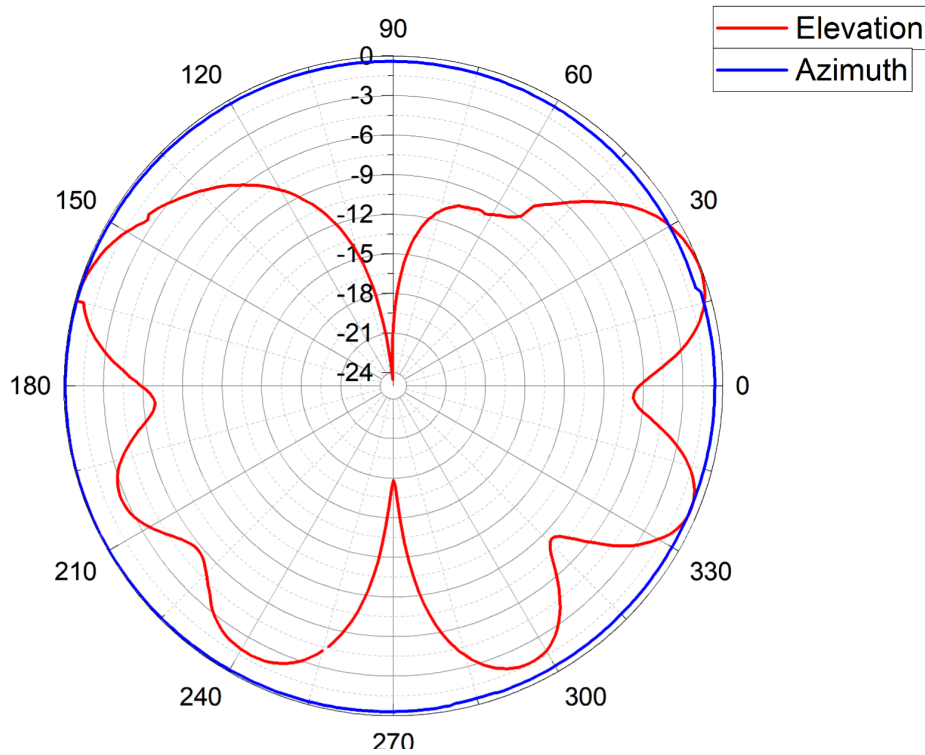
MP Antenna, LTD.
147 Eady Court
Elyria, Ohio 44035

440.387.5968 phone
440.545.3500 fax
www.mpantenna.com
sales@mpantenna.com

Part Number: MP SL900+2400-E

model number: MP SL900+2400
product description: 902-928MHz, 2.4-2.5GHz Micro Omni

Frequency: 915 MHz
Max Gain: 4dBi



Frequency: 2.4 GHz
Max Gain: 3 dBi

